



ActivBoard 300 Pro Mobile System  
with EST-P1 projector

---

### THIS DOCUMENT CONTAINS SPECIFICATIONS FOR

ActivBoard  
Mobile Stand  
Projector

---

### DESCRIPTION

The ActivBoard 300 Pro with Dual-User capability is available in 78", 87" and 95" versions with integrated slim-line speakers and amplifier, ActivInspire Professional Edition and Promethean ActivOffice. The Mobile System is easy to move and includes an Extreme Short Throw Projector.

---

### SYSTEM OVERVIEW

#### Installation

The installation of this product should be completed by a Promethean Certified Installer. Please visit [www.PrometheanWorld.com/ActivCare/installationtc](http://www.PrometheanWorld.com/ActivCare/installationtc). Components supplied and minimum specifications stated have been tested and are required for optimal performance. Use of components not supplied by Promethean or not meeting minimum specifications may impact performance and affect warranty. Contact your Promethean partner or visit [www.PrometheanKB.com](http://www.PrometheanKB.com) for more information

---

#### Warranty

For Promethean Warranty Information please visit: [www.PrometheanWorld.com/ActivCare](http://www.PrometheanWorld.com/ActivCare)

---

#### Support

Online Support for all Promethean Products available from: [www.PrometheanKB.com](http://www.PrometheanKB.com)

---

#### Complete System Weight (approx.)

ActivBoard 378 Pro including Projector 138kg (303.9lb)  
ActivBoard 387 Pro including Projector 141kg (310.2lb)  
ActivBoard 395 Pro including Projector 145kg (319.3lb)

Contact GT Innovations - Promethean Premium Partner for Victoria.

Ph: 9560 9022 Email: [info@gtinnovations.com.au](mailto:info@gtinnovations.com.au) Web: [www.gtinnovations.com.au](http://www.gtinnovations.com.au)

ActivBoard Systems/Boards SS 10/11 V2.0\_UK

©2011 Promethean Limited. All rights reserved. Promethean Ltd. is owner of a number of trademarks in several jurisdictions across the world. Any third-party product and company names are mentioned for identification purposes only and may be trademarks of their respective owners. <sup>1</sup>Applicable Terms and Conditions for warranty and support available at [www.PrometheanWorld.com/ActivCare](http://www.PrometheanWorld.com/ActivCare). All dimensions +/- 5mm (0.2in). All weights +/- 0.9kg (2lb). Product Specifications are subject to change without notice. [www.PrometheanWorld.com](http://www.PrometheanWorld.com)

### UPGRADE AND ACCESSORY OPTIONS

#### Wireless Upgrade Pack 300

Allows the ActivBoard 300 Pro to connect to the computer wirelessly; includes an ActivHub (2.4 GHz), PSU (Power Supply Unit) and Quick Start Guide

#### ActivWand 50

Wireless, battery-free and extended reach input device for the ActivBoard – 540mm (21.2in) in length; “left click”, cursor and hover, just like a mouse

#### Mobile Stand Drawer

Optional\* drawer in the base of the System (includes lock and key), and can be used to store sets of ActivExpressions, ActiVotes, ActivSlate or the EST-P1 remote control.  
\*Mobile Stand drawer is included with the Mobile System in the EU region

#### Dry Erase Whiteboard

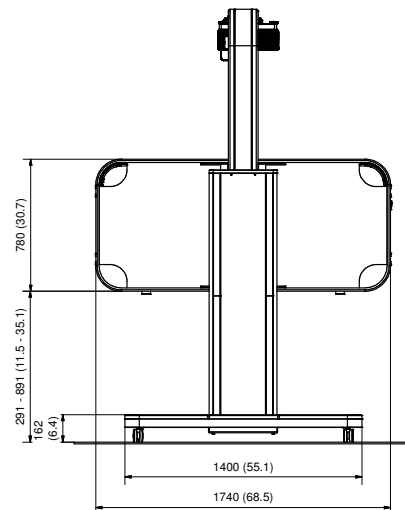
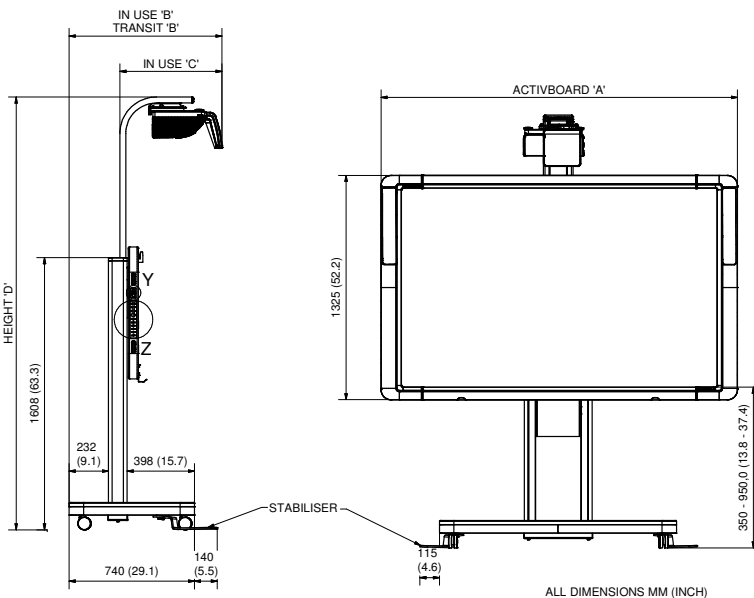
Optional dry erase whiteboard, can use 1 or 2 dry erase whiteboards per System

#### ActivBoard System Shelf

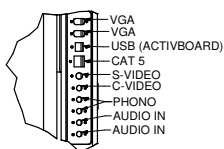
Storage for 1 laptop, with a maximum size a standard 43cm (17in) laptop. Lockable System Shelf also available as an option

### TECHNICAL DRAWING SPECIFICATIONS

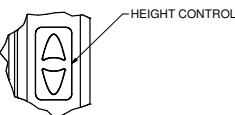
DIMENSION	78"	87"	95"
ACTIVBOARD 'A'	1868 (73.5)	2105 (82.9)	2412 (95)
IN USE 'B'	909 (35.8)	889 (34.6)	929 (36.6)
TRANSIT 'B'	758 (29.8)	738 (29.1)	778 (30.6)
IN USE 'C' ±10 (±0.4)	608 (23.9)	558 (23.2)	628 (24.7)
TRANSIT 'C' ±10 (±0.4)	458 (18)	438 (17.2)	478 (18.8)
HEIGHT 'D'	1990 - 2590 (78.3 - 102)	1960 - 2560 (77.2 - 100.8)	1990 - 2590 (78.3 - 102)
TURNING CIRCLE 'E'	1868 (73.5)	2105 (82.9)	2412 (95)



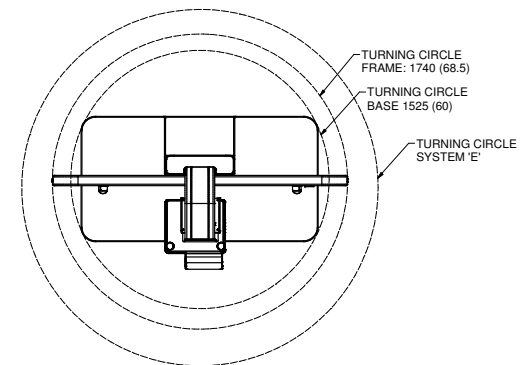
Z (1:4)



Y (1:2)



TRANSIT 'C'



Promethean recommends the use of the Stabilizers when in use.

Please note minimum turning circle, width and height dimensions as a consideration when moving the Mobile System from room to room.

### ACTIVBOARD GENERAL SPECIFICATIONS

Internal Resolution	2730 points (lines) per inch
Output Resolution	200 points (lines) per inch
Tracking Rate	200 inches per second providing a fast response to pen commands
Output Rate	120 coordinate pairs per second
User Input	Cordless battery-free pen incorporating tip switch and side switch for full mouse functionality (ActivPen)
Digitizing Technology	Passive Electromagnetic
Power Requirement	Mains Powered; 18V Power Supply Unit
Connection to Computer	USB 2.0, 1 x 5m USB data cable supplied
Screen Surface	Low Glare Melamine
Certifications	UL, CE, FCC
Operating Temperature	0°C to +50°C (14°F to 122°F)
Storage Temperature	-20°C to +70°C (-4°F to 158°F)
Storage Humidity	0% to 90% (non-condensing)
Dual User Functionality	2 Facilitator and 2 Participant ActivPens included
Integrated USB Sound	Two integrated slim-line speakers and amplifier (with controls, inputs and outputs)
Packed Contents List	ActivBoard, 2 ActivPens (Facilitator), 2 ActivPens (Participant), 1 Amp PSU, Wall Mounting Brackets, Installation Guide, Access to ActivInspire Professional Edition and Promethean ActivOffice via download. (ActivInspire Professional Edition is also available on DVD on request).

### INTEGRATED USB SOUND SPECIFICATIONS

Amplifier Power Output	20W per channel RMS (<1% distortion)
Controls	Volume, Bass, Treble, on/off
Amplifier Frequency Response	40Hz to 18kHz +/-3dB (at 1W)
USB Sound	USB Sound supported for Minimum System Requirements stated
Connectivity – Inputs (4)	Stereo PC, Stereo CD/DVD, Mono Auxiliary, Microphone to PC
Connectivity – Outputs (2)	2 Stereo
Power Requirement	18V 3.3 Amp

ActivBoard Systems/Boards SS 10/11 V2.0\_UK

©2011 Promethean Limited. All rights reserved. Promethean Ltd. is owner of a number of trademarks in several jurisdictions across the world. Any third-party product and company names are mentioned for identification purposes only and may be trademarks of their respective owners. <sup>1</sup>Applicable Terms and Conditions for warranty and support available at [www.PrometheanWorld.com/ActivCare](http://www.PrometheanWorld.com/ActivCare). All dimensions +/- 5mm (0.2in). All weights +/- 0.9kg (2lb). Product Specifications are subject to change without notice. [www.PrometheanWorld.com](http://www.PrometheanWorld.com)

### ACTIVBOARD SPECIFICATIONS BY MODEL

Model	ActivBoard 378 Pro	ActivBoard 387 Pro	ActivBoard 395 Pro
ActivBoard Size	78in	87in	95in
Resolution	12800 x 9200	14600 x 9200	17200 x 9200
Screen Formats	4:3	16:10	16:9
Overall Dimensions	1868mm x 1329mm (73.5in x 52.3in)	2105mm x 1329mm (82.9in x 52.3in)	2412mm x 1329mm (95in x 52in)
Active Area Dimensions	1628mm x 1175mm (64in x 46in)	1865mm x 1175mm (73in x 46in)	2172mm x 1175mm (86in x 46in)
Active Area Diagonal	2000mm (78.7in)	2196mm (86.5in)	2462mm (96.9in)
Actual Image Diagonal	1958mm (77.1in)	2193mm (86.4in)	2397mm (94.4in)
Board Weight	28kg (61.7lb)	31kg (68.3lb)	35kg (77.1lb)
Packed Weight	43kg (94.7lb)	47kg (103.6lb)	52kg (114.6lb)
Packed Dimensions	2025mm x 1500mm x 110mm (79.9in x 59in x 4.3in)	2270mm x 1500mm x 110mm (89.4in x 59in x 4.3in)	2570mm x 1500mm x 110mm (101.1in x 59in x 4.3in)

### MINIMUM SYSTEM REQUIREMENTS

Operating Systems	Windows XP SP2 and above (XP/Vista/7); Mac OSX 10.4.11 – 10.6.1 (Tiger/Leopard/Snow Leopard); Linux Ubuntu 9.04, 9.10; Debian
PC	Pentium 4 – 1 GHz processor (800MHz for Vista), 512 MB of RAM, 1024x768 resolution, 1.5 GB of Free Disk Space
Mac	Macintosh Intel Processors (Universal Binary), 512 MB of RAM, 1024x768 resolution, 3.0 GB of Free Disk Space

## MOBILE STAND SPECIFICATIONS

<b>Projector Model</b>	Extreme Short Throw
<b>Height Settings</b>	Height-adjustable mount, with 600mm (23.6in) of adjustment from 350mm (13.8in) to 950mm (37.4in) ± 50mm (1.9in). Top and bottom limit stops are fitted if the full range of movement is not required/appropriate. Height adjustment is powered by an electrical motor and is operated using a switch on the side of the stand.
<b>Actuator Specification</b>	<p>Input Voltage: 24VDC            Max Load: 750N            Static Load: more than 750N            Speed: 30mm/s (no load), 20mm/s (750N)            Stroke Length: 600 ± 2mm            Retracted Length: 795 ± 2mm            End Mounting Dimension: H Type, ø10.1 hole, 6.3mm Slot            Limit Switch: Built-in            Duty Cycle: S2-10min            Temperature: -26° to 65°C            IP Degree: IP54            AC-DC Adaptor:            Input Voltage: 100 ~ 240VAC            Output Voltage: 29VDC            Current: 2Amp (4Amp protected)            Cable and Plug: 1.5m, IEC Plug</p>
<b>Projector Boom</b>	Aluminium boom arm, extends 740mm (29.1in) from the back of the System. Projector Boom adjusts with the height of the ActivBoard reducing the need for specific re-calibration following height adjustment.
<b>Mobile Base Dimensions</b>	1400mm x 740mm (55.1in x 29.1in)
<b>Room Height Requirements</b>	Minimum 2562mm (100.9in) for full range operation
<b>Door Size Requirements</b>	Minimum door height clearance of 1962mm (77.2in) and door width clearance of 775mm (30.5in).
<b>Minimum Turning Circle Requirement</b>	See Technical Drawing Specifications at the end of this document.
<b>Integrated Power Management</b>	For ActivBoard, Mobile Stand and Projector. There will be one lead from the Mobile System to plug into a wall socket.
<b>Frame Weight (approx.)</b>	Frame only: 100kg (220.5lb); excl. board, projector, cabling and accessories
<b>Connectivity Panel</b>	Connectivity panel with inputs for 2 x fully wired VGA (to support VESA DDC) plus 3.5mm stereo jack audio inputs, USB-B input (for ActivBoard), S-Video, composite video plus auxiliary audio jack inputs, Cat 5e Ethernet input. Connectivity panel is mounted to the left hand-side of the Support Frame (when facing the system).
<b>Cables</b>	Cable assembly includes: 2 x 3.6m (11.8ft) VGA panel mount (fully wired to support VESA DDC), 3.6m (11.8ft) S-Video panel mount, 3.6m (11.8ft) composite video panel mount, 3.6m (11.8ft) Ethernet panel mount, 2.5m (8.2ft) USB patch cable (to connect computer to face plate). 2.3m (7.5ft) right angle stereo jack to panel mount jack socket, 2.3m (7.5ft) right angle stereo jack to panel mount phono pair, for PC audio input (to connect computer to face plate). 2m (6.6ft) VGA cable provided in the projector box (to connect the computer to the face plate).

CONTINUED ON NEXT PAGE

ActivBoard Systems/Boards SS 10/11 V2.0\_UK

©2011 Promethean Limited. All rights reserved. Promethean Ltd. is owner of a number of trademarks in several jurisdictions across the world. Any third-party product and company names are mentioned for identification purposes only and may be trademarks of their respective owners. <sup>1</sup>Applicable Terms and Conditions for warranty and support available at [www.PrometheanWorld.com/ActivCare](http://www.PrometheanWorld.com/ActivCare). All dimensions +/- 5mm (0.2in). All weights +/- 0.9kg (2lb). Product Specifications are subject to change without notice. [www.PrometheanWorld.com](http://www.PrometheanWorld.com)

## MOBILE STAND SPECIFICATIONS (CONTINUED)

### Pack Weights & Dimensions

**Box 1 of 4:** 13kg (28.7lb)  
Dimensions: 217mm x 1427mm x 467mm (8.54in x 56.18in x 18.39in)  
Contents: Boom

**Box 2 of 4:** 28kg (61.7lb)  
Dimensions: 182mm x 1652mm x 442mm (7.2in x 65in x 17.4in)  
Contents: Spine

**Box 3 of 4:** 22kg (48.5lb)  
Dimensions: 128mm x 1782mm x 822mm (5.04in x 70.16in x 32.36in)  
Contents: Frame

**Box 4 of 4:** 42kg (92.6lb)  
Dimensions: 202mm x 1442mm x 782mm (7.95in x 56.77in x 30.79in)  
Contents: Mobile Base

## PROJECTOR SPECIFICATIONS

<b>Model</b>	EST-P1 (DLP)
<b>Native Resolution</b>	WXGA (1280 x 800)
<b>Compressed Resolution</b>	up to 1080i
<b>Typical Colours</b>	16.77 million colours
<b>Brightness (ANSI lumens)</b>	2200 ANSI (normal) 2500 ANSI (high)
<b>Contrast Ratio</b>	2000:1
<b>Noise Level</b>	27dB (normal) 31dB (high brightness mode)
<b>Dimensions (w x d x h)</b>	354mm x 319mm x 157mm (13.9in x 12.6in x 6.1in) not including lens 354mm x 411mm x 219mm (13.9in x 16.1in x 8.6in) including lens
<b>Weight</b>	9kg (19.8lb)
<b>Aspect Ratio</b>	16:10 (native), 4:3, 16:9
<b>Power Consumption</b>	290W (<1W standby)
<b>Device Type</b>	DLP Technology
<b>Focus</b>	Manual Focus
<b>Zoom</b>	N/A
<b>Focal Length</b>	F=2.4
<b>Projection Distance</b>	0.39m ~ 0.56m (15in ~ 22in)
<b>Projection Screen Size</b>	1.98m ~2.79m (78in ~ 110in)
<b>Lamp Type</b>	220W lamp
<b>Lamp Life</b>	6000hrs (normal), 4000hrs (high)
<b>Keystone Correction</b>	Vertical: max ±15°
<b>Operating Temperature</b>	5°C ~ 35°C (41°F ~ 95°F)
<b>Power Supply Voltage</b>	100 - 240V AC, 50/60Hz
<b>Horizontal Scan Rate</b>	15Hz ~ 90kHz
<b>Vertical Scan Rate</b>	43Hz ~ 85Hz

CONTINUED ON NEXT PAGE

ActivBoard Systems/Boards SS 10/11 V2.0\_UK



©2011 Promethean Limited. All rights reserved. Promethean Ltd. is owner of a number of trademarks in several jurisdictions across the world. Any third-party product and company names are mentioned for identification purposes only and may be trademarks of their respective owners. <sup>1</sup>Applicable Terms and Conditions for warranty and support available at [www.PrometheanWorld.com/ActivCare](http://www.PrometheanWorld.com/ActivCare). All dimensions +/- 5mm (0.2in). All weights +/- 0.9kg (2lb). Product Specifications are subject to change without notice. [www.PrometheanWorld.com](http://www.PrometheanWorld.com)

## PROJECTOR SPECIFICATIONS (CONTINUED)

<b>Computer Compatibility</b>	IBM PC and Compatibles; Apple Macintosh, iMac, and VESA Standards WSXGA+ (1,680 x 1,050), WXGA+ (1,440 x 900), WXGA (1,280 x 800, 1,280 x 768), UXGA (1,600 x 1,200), SXGA+ (1,400 x 1,050), SXGA (1,280 x 1,024), XGA (1,024 x 768), SVGA (800 x 600), VGA (640 x 480)
<b>Video Compatibility</b>	NTSC (3.58/4.43), PAL (B/D/G/H/I/M/N), SECAM (B/D/G/K/K1/L), HDTV (720p, 1080i, 1035i), EDTV (480p, 575i), SDTV (480i, 576i)
<b>Inputs/Outputs</b>	D-sub 15 (RGB) x 2 D-sub 15 (Monitor out) x 1 HDMI V1.3 only for Video x 1 S-Video x 1 Composite Video (RCA) x 1 USB control x 1 Networking LAN (RJ45) x 1 RS-232C (D-sub 9) x 1
<b>Colour</b>	Silver
<b>Security</b>	Kensington Lock, Security cable bar option, pin code security, remote control operated only
<b>On-screen Menu</b>	Arabic, Chinese (Simplified), Chinese (Traditional), Czech, Dutch, English, Finnish, French, German, Greek, Hungarian, Italian, Japanese, Korean, Norwegian, Polish, Portuguese, Russian, Spanish, Swedish, Thai, Turkish
<b>Advanced Features</b>	Filter-less 3D Ready Crestron RoomView Express Quick Lamp Access Direct power on/off Closed Caption
<b>Packed Contents List</b>	Projector, Power cord, computer cable (D-sub15 – D-sub15), wireless remote, owner's manual (CD - ROM & Quick Start Guide)
<b>Pack Weights and Dimensions</b>	<b>Box 1 of 1:</b> 13.5kg (29.7lb) Dimensions: 572mm x 496mm x 310mm (22.5in x 19.5in x 12.2in) Contents: Projector

ActivBoard Systems/Boards SS 10/11 V2.0\_UK



©2011 Promethean Limited. All rights reserved. Promethean Ltd. is owner of a number of trademarks in several jurisdictions across the world. Any third-party product and company names are mentioned for identification purposes only and may be trademarks of their respective owners. <sup>1</sup>Applicable Terms and Conditions for warranty and support available at [www.PrometheanWorld.com/ActivCare](http://www.PrometheanWorld.com/ActivCare). All dimensions +/- 5mm (0.2in). All weights +/- 0.9kg (2lb). Product Specifications are subject to change without notice. [www.PrometheanWorld.com](http://www.PrometheanWorld.com)