



ActivBoard 500 Pro Mount System with PRM-30a or PRM-35 projector



ActivBoard 500 Pro Mount System with EST-P1 projector

### THIS DOCUMENT CONTAINS SPECIFICATIONS FOR

ActivBoard  
Projector Mount  
Projector

### DESCRIPTION

The ActivBoard 500 Pro with Dual-User Pen and Touch capability is available in 78", 87" and 95" versions with integrated slim-line speakers and amplifier, ActivInspire Professional Edition, Promethean ActivOffice and Promethean Applications software. The Mount System includes a Cable Wall Box and choice of Extreme Short Throw or Short Throw projector.

### SYSTEM OVERVIEW

#### Installation

ActivBoard Mount System is suitable for self-installation. Promethean recommends that all Mount Systems should be installed by a Certified Promethean Installer. Please visit [www.PrometheanWorld.com/ActivCare/installation](http://www.PrometheanWorld.com/ActivCare/installation). The Projector Mount and the ActivBoard mount directly to the wall. Refer to the User Manual for guidelines on fixing points. Components supplied and minimum specifications stated have been tested and are required for optimal performance. Use of components not supplied by Promethean or not meeting minimum specifications may impact performance and affect warranty. Contact your Promethean partner or visit [www.PrometheanKB.com](http://www.PrometheanKB.com) for more information. Operation of the ActivBoard 500 Pro requires installation of the driver included with the ActivInspire software and one open USB computer port. Specifications and access to ActivInspire software is available at [www.PrometheanPlanet.com/ActivInspire](http://www.PrometheanPlanet.com/ActivInspire). User with administrator/privileged access rights required to install driver and software

#### Warranty

For Promethean Warranty Information please visit: [www.PrometheanWorld.com/ActivCare](http://www.PrometheanWorld.com/ActivCare)

#### Support

Online Support for all Promethean Products available from: [www.PrometheanKB.com](http://www.PrometheanKB.com)

#### Complete System Weight (approx.)

**ActivBoard 578 Pro including;**  
PRM-30a Projector 55.6kg (122.6lb)  
PRM-35 Projector 52.6kg (116lb)  
**ActivBoard 587 Pro including;**  
PRM-30a Projector 58.6kg (129.2lb)  
PRM-35 Projector 55.6kg (122.6lb)  
**ActivBoard 595 Pro including;**  
PRM-30a Projector 60.7kg (133.8lb)  
PRM-35 Projector 57.7kg (127.2lb)

**ActivBoard 578 Pro including;**  
EST-P1 Projector 56.8kg (125.2lb)  
**ActivBoard 587 Pro including;**  
EST-P1 Projector 60.8kg (134.1lb)  
**ActivBoard 595 Pro including;**  
EST-P1 Projector 62.9kg (138.8lb)

Contact GT Innovations - Promethean Premium Partner for Victoria.

Ph: 9560 9022 Email: [info@gtinnovations.com.au](mailto:info@gtinnovations.com.au) Web: [www.gtinnovations.com.au](http://www.gtinnovations.com.au)

ActivBoard Systems/Boards: SS 02/12 V3.0\_UK

### UPGRADE AND ACCESSORY OPTIONS

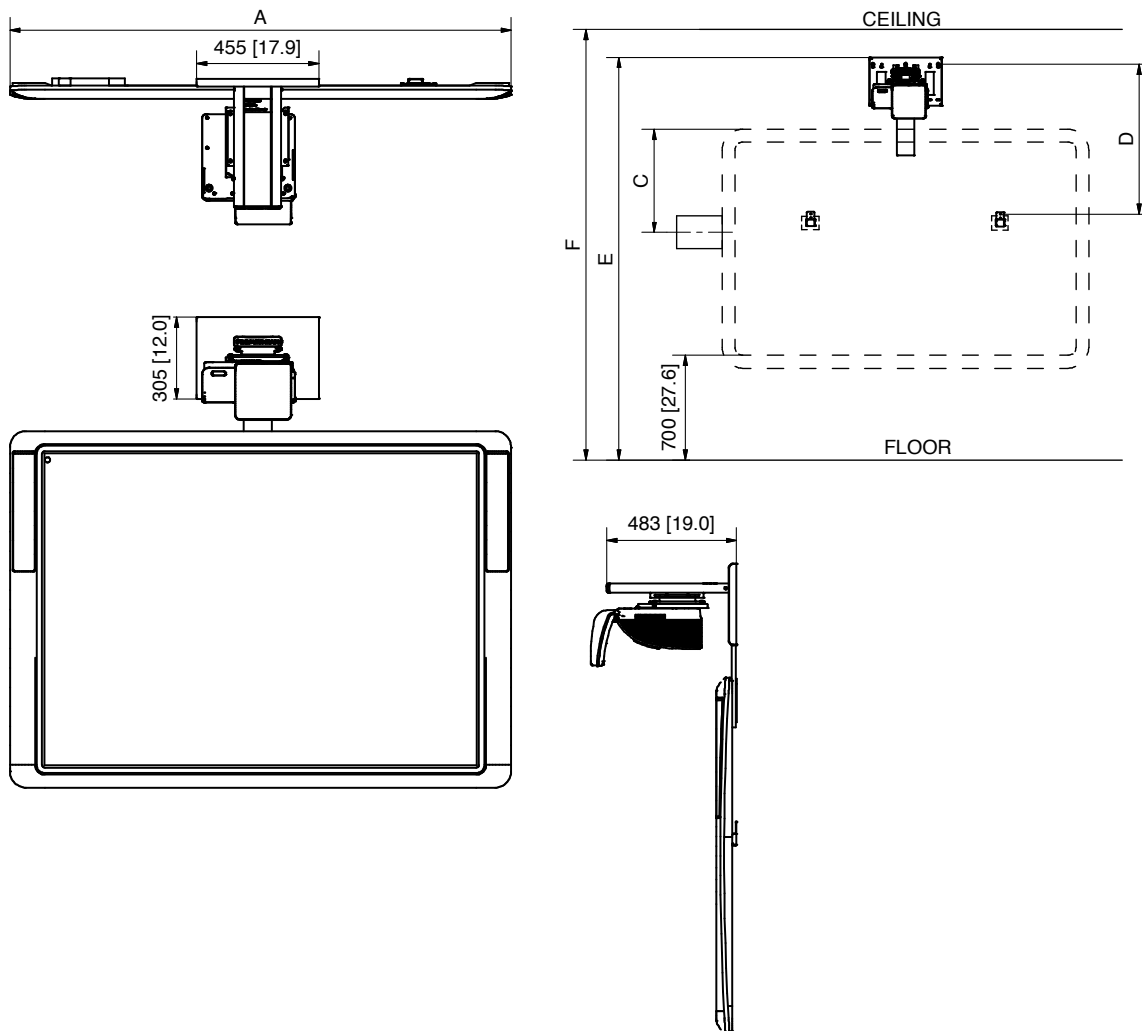
#### ActivWand 50

Wireless, battery-free and extended reach input device for the ActivBoard – 540mm (21.2in) in length; “left click”, cursor and hover, just like a mouse

### TECHNICAL DRAWING SPECIFICATIONS

#### ActivBoard 500 Pro Mount System with EST-P1 projector

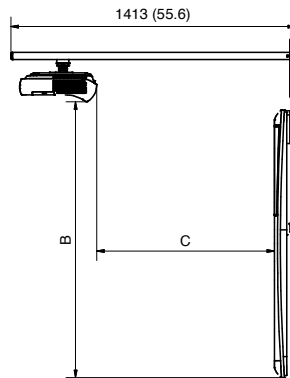
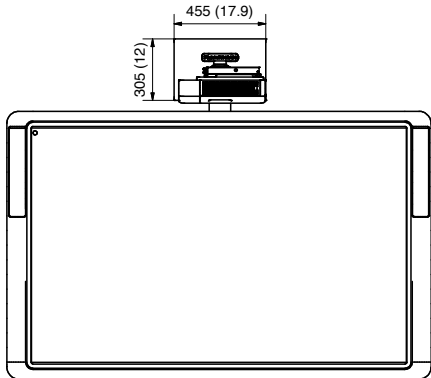
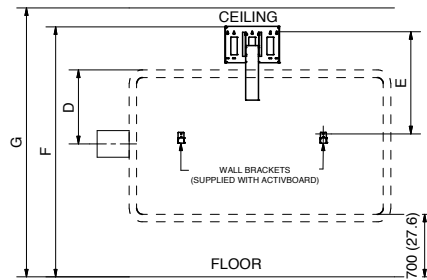
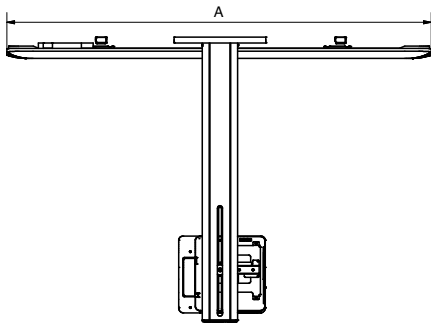
DIMENSION	578 Pro	587 Pro	595 Pro
ACTIVBOARD 'A'	1868 [73.5]	2105 [82.9]	2336 [92.0]
PROJECTOR 'B'	1379 [54.3]	1379 [54.3]	1409 [55.5]
WALL BOX 'C' ±150 [6]	660 [26.0]	660 [26.0]	660 [26.0]
FIXING HEIGHT 'D'	920 [36.2]	920 [36.2]	950 [37.4]
TOTAL HEIGHT 'E'	2380 [93.7]	2380 [93.7]	2410 [94.9]
MIN ROOM HEIGHT 'F'	2390 [94.1]	2390 [94.1]	2420 [95.3]



### TECHNICAL DRAWING SPECIFICATIONS

ActivBoard 500 Pro Mount System with PRM-30a or PRM-35 projector

	PRM30a - 578 Pro	PRM30a - 587 Pro	PRM30a - 595 Pro	PRM35 - 578 Pro	PRM35 - 587 Pro	PRM35 - 595 Pro
ACTIVBOARD 'A'	1868 (73.5)	2105 (82.9)	2336 (92.0)	1768 (69.6)	2105 (82.9)	2336 (92.0)
PROJECTOR 'B'	1357 (53.4)	1357 (53.4)	1442 (56.8)	1347 (53.0)	1347 (53.0)	1367 (53.8)
THROW DISTANCE 'C' ±10 (0.4)	906 (35.7)	906 (35.7)	985 (38.8)	985 (38.8)	985 (38.8)	1100 (43.3)
WALL BOX 'D' ±150 (6)	660 (26.0)	660 (26.0)	660 (26.0)	660 (26.0)	660 (26.0)	660 (26.0)
FIXING HEIGHT 'E'	825 (32.5)	825 (32.5)	910 (35.8)	810 (31.9)	810 (31.9)	830 (32.7)
TOTAL HEIGHT 'F'	2295 (90.4)	2295 (90.4)	2370 (93.3)	2270 (81.5)	2270 (81.5)	2290 (90.2)
MIN ROOM HEIGHT 'G'	2305 (90.7)	2305 (90.7)	2380 (93.7)	2280 (81.9)	2280 (81.9)	2300 (90.6)



### ACTIVBOARD GENERAL SPECIFICATIONS

<b>Model</b>	ActivBoard 500 Pro Range
<b>Pen Internal Resolution</b>	2730 points (lines) per inch
<b>Pen Output Resolution</b>	200 points (lines) per inch
<b>Pen Tracking Rate</b>	200 inches per second providing a fast response to pen commands
<b>Pen Output Rate</b>	160 coordinate pairs per second (single user) 80 coordinate pairs per second (dual user)
<b>User Input</b>	Cordless battery-free pen incorporating tip switch and side switch for full mouse functionality (ActivPen) and touch
<b>Touch Resolution</b>	200 points (lines) per inch
<b>Touch Output Rate</b>	80 coordinate pairs per second
<b>Touch Response Rate</b>	10 ms
<b>Maximum Simultaneous Touches</b>	2 with ActivInspire 4 with Windows 7
<b>Digitizing Technology</b>	Passive Electromagnetic and Capacitive sensing interface
<b>Power Requirement</b>	Mains Powered; 18V Power Supply Unit
<b>Connection to Computer</b>	USB 2.0, 1 x 3m USB 2.0 data cable supplied
<b>Connection to Peripherals</b>	2 x USB ports on left hand side
<b>Screen Surface</b>	Low Glare Melamine
<b>Certifications</b>	UL, CE, FCC
<b>Operating Temperature Range</b>	0°C to +40°C (32°F to 104°F)
<b>Storage Temperature Range</b>	-20°C to +60°C (-4°F to 140°F)
<b>Storage Humidity</b>	10% to 90% (non-condensing)
<b>Dual User Functionality</b>	<b>Pen:</b> 1 Facilitator ActivPen and 1 Participant ActivPen can be used together in Dual-User Mode when using ActivInspire 1.5 Professional Edition and above. <b>Pen and Touch:</b> 1 Participant ActivPen and simultaneous additional two-touch gesture supported when using ActivInspire 1.5 Professional Edition and above.
<b>Single User Functionality</b>	<b>Pen:</b> 1 Facilitator ActivPen <b>Touch:</b> Two-touch gesture supported when using ActivInspire 1.5 Professional Edition and above.
<b>Integrated USB Sound</b>	Two integrated slim-line speakers and amplifier (with controls, inputs and outputs)
<b>Packed Contents List</b>	ActivBoard 587 Pro or ActivBoard 595 Pro, 2 Facilitator ActivPens, 2 Participant ActivPens, 1 AMP PSU, Wall Mounting Brackets, User Guide, Access to ActivInspire Professional Edition, Promethean ActivOffice and Promethean Applications via download. (ActivInspire Professional Edition is also available on DVD on request), 1 x 3m USB data cable

ActivBoard Systems/Boards SS 02/12 V3.0\_UK

### INTEGRATED USB SOUND SPECIFICATIONS

<b>Amplifier Power Output</b>	20W per channel RMS (<1% distortion)
<b>Controls</b>	Volume, Bass, Treble, on/off
<b>Amplifier Frequency Response</b>	40Hz to 18kHz +/-3dB (at 1W)
<b>USB Sound</b>	USB Sound supported for Minimum System Requirements stated
<b>Connectivity – Inputs (4)</b>	Stereo PC, Stereo CD/DVD, Mono Auxiliary, Microphone to PC
<b>Connectivity – Outputs (2)</b>	2 Stereo
<b>Power Requirement</b>	18V 5 Amp

### ACTIVBOARD SPECIFICATIONS

Model	ActivBoard 578 Pro	ActivBoard 587 Pro	ActivBoard 595 Pro
<b>ActivBoard Size</b>	78in	87in	95in
<b>Resolution</b>	12800 x 9200	14600 x 9200	17200 x 9200
<b>Screen Formats</b>	4:3	16:10	16:9
<b>Overall Dimensions</b>	1868mm x 1329mm 973.5in x 52.3in)	2105mm x 1329mm (82.9in x 52.3in)	2336mm x 1329mm (92in x 52.3in)
<b>Active Area Dimensions</b>	1628mm x 1175mm (64in x 46in)	1865mm x 1175mm (73.4in x 46.3in)	2095mm x 1175mm (82.5in x 46.3in)
<b>Active Area Diagonal</b>	2000mm (78.7in)	2196mm (86.5in)	2394mm (94.3in)
<b>Actual Image Diagonal</b>	1958mm (77.1in)	2193mm (86.4in)	2392mm (94.2in)
<b>Board Weight</b>	37kg (81.6lb)	40kg (88lb)	48kg (106lb)
<b>Packed Weight</b>	52kg (114.6lb)	57kg (126lb)	65kg (143lb)
<b>Packed Dimensions</b>	2025mm x 1500mm x 110mm (79.9in x 59in x 4.3in)	2270mm x 1500mm x 110mm (89.4in x 59.1in x 4.3in)	2572 mm x 1495mm x 110mm (101.3in x 58.9in x 4.33in)

### MINIMUM COMPUTER REQUIREMENTS

<b>Operating Systems</b>	Windows XP SP3 and above (XP/Vista/7); Mac OSX 10.4.11 – 10.6.4 (Tiger/Leopard/Snow Leopard); Linux Ubuntu 9.10 or 10.04; Debian Lenny; Linex Colegios 2010; Linkat 3; ALT_Linux (Russia)
<b>PC</b>	2.0 GHz Intel Core 2 Duo or faster for HD-quality videos, 1 GB of RAM is required to play HD-quality videos, 1024 x 768 resolution, 1.5 GB of Free Disk Space
<b>Mac</b>	2.0 GHz Intel Core 2 Duo, 512 MB of RAM, 1024 x 768 resolution, 3.0 GB of Free Disk Space
<b>Linux</b>	2.0 GHz Processor or faster for HD-quality videos, 1 GB of RAM is required to play HD-quality videos, 1024 x 768 resolution, 1.5 GB of Free Disk Space

ActivBoard Systems/Boards SS 02/12 V3.0\_UK

©2012 Promethean Limited. All rights reserved. Promethean Ltd. is owner of a number of trademarks in several jurisdictions across the world. Any third-party product and company names are mentioned for identification purposes only and may be trademarks of their respective owners. <sup>1</sup>Applicable Terms and Conditions for warranty and support available at [www.PrometheanWorld.com/ActivCare](http://www.PrometheanWorld.com/ActivCare). All dimensions +/- 5mm (0.2in). All weights +/- 0.9kg (2lb). Product Specifications are subject to change without notice. [www.PrometheanWorld.com](http://www.PrometheanWorld.com)

# Product Specifications

## MOUNT SPECIFICATIONS

<b>Projector Mount</b>	For use with Short Throw Projector, aluminium arm extends 1413mm (55.6in) from the wall	For use with Extreme Short Throw Projector, aluminium arm extends 483mm (19in) from the wall
<b>Room Height</b>	Minimum room height 2400mm (94.5in)	Minimum room height 2400mm (94.5in)
<b>Power</b>	Power Outlets required for the projector, computer and ActivBoard	Power Outlets required for the projector, computer and ActivBoard
<b>Weight (approx.)</b>	Frame only: Approx. 9.7kg (21.5lb) excluding projector and cabling	Frame only: Approx. 8.9kg (19.6lb) excluding projector and cabling
<b>Cable Management</b>	Cables directed through the projector mount, mounting plate and behind the ActivBoard	Cables directed through the projector mount, mounting plate and behind the ActivBoard
<b>Pack Weights &amp; Dimensions</b>	<b>Box 1 of 1:</b> 11.6kg (25.6lb) Dimensions: 1430mm x 325mm x 100mm (56.3in x 12.8in x 3.9in)	<b>Box 1 of 1:</b> 10kg (22lb) Dimensions: 715mm x 320mm x 120mm (28.1in x 12.6in x 4.7in)
<b>Packed Contents List</b>	Wall Plate, Cover, Projector Mount and Mounting Plate, VGA Cable shipped separately	Wall Plate, Cover, Projector Mount and Mounting Plate, VGA Cable shipped separately

ActivBoard Systems/Boards SS 02/12 V3.0\_UK



©2012 Promethean Limited. All rights reserved. Promethean Ltd. is owner of a number of trademarks in several jurisdictions across the world. Any third-party product and company names are mentioned for identification purposes only and may be trademarks of their respective owners. <sup>†</sup>Applicable Terms and Conditions for warranty and support available at [www.PrometheanWorld.com/ActivCare](http://www.PrometheanWorld.com/ActivCare). All dimensions +/- 5mm (0.2in). All weights +/- 0.9kg (2lb). Product Specifications are subject to change without notice. [www.PrometheanWorld.com](http://www.PrometheanWorld.com)

# Product Specifications

## PROJECTOR SPECIFICATIONS

Model	EST-P1 (DLP)	PRM-35 (DLP)	PRM-30a (LCD)
Native Resolution	WXGA (1280 x 800)	WXGA (1280 x 800)	WXGA (1280 x 800)
Compressed Resolution	up to 1080i	up to 1080i	up to 1080i
Typical Colours	16.77 million colours	16.77 million colours	16.77 million colours
Brightness (ANSI lumens)	2200 ANSI (normal) 2500 ANSI (high)	2100 ANSI (normal) 2500 ANSI (high)	1900 ANSI (normal) 2500 ANSI (high)
Contrast Ratio	2000:1	2000:1	500:1
Noise Level	27dB (normal) 31dB (high brightness mode)	32dB (normal) 36dB (high brightness mode)	29dB (normal) 36dB (high brightness mode)
Dimensions (w x d x h)	354mm x 319mm x 157mm (13.9in x 12.6in x 6.1in) not including lens 354mm x 411mm x 219mm (13.9in x 16.1in x 8.6in) including lens	306mm x 275mm x 97mm (12in x 3.8in x 10.1in)	382mm x 430mm x 129mm (15in x 16.9in x 5in)
Weight	9kg (19.8lb)	2.7kg (6lb)	5.7kg (12.5lb)
Aspect Ratio	16:10 (native), 4:3, 16:9	16:10 (native), 4:3, 16:9	16:10 (native), 4:3, 16:9
Power Consumption	290W (<1W standby)	230W (<1W standby)	317W (<0.8W standby)
Device Type	DLP Technology	DLP Technology	LCD Technology
Focus	Manual Focus	Manual Focus	Manual Focus
Zoom	N/A	Digital Zoom	Digital Zoom
Focal Length	F=2.4	F=2.86	Fixed
Projection Distance	0.39m ~ 0.56m (15in ~ 22in)	0.54m ~ 1.22m (21.3in ~ 48in)	0.54m ~ 1.22m (21.3in ~ 48in)
Projection Screen Size	1.98m ~ 2.79m (78in ~ 110in)	1.27m ~ 2.79m (50in ~ 110in)	1.27m ~ 2.79m (50in ~ 110in)
Lamp Type	220W lamp	230W lamp	230W lamp
Lamp Life	6000hrs (normal), 4000hrs (high)	6000hrs (normal), 4000hrs (high)	4000 hrs (normal), 3000 hrs (high)
Keystone Correction	Vertical: max ±15°	Vertical: max ±15°	Vertical: max ±20°
Operating Temperature	5°C ~ 35°C (41°F ~ 95°F)	5°C ~ 35°C (41°F ~ 95°F)	5°C ~ 35°C (41°F ~ 95°F)
Power Supply Voltage	100 - 240V AC, 50/60Hz	100 ~ 240V AC, 50/60Hz	100 ~ 240V AC, 50/60Hz
Horizontal Scan Rate	15Hz ~ 90kHz	15Hz ~ 90kHz	15Hz ~ 90kHz
Vertical Scan Rate	43Hz ~ 85Hz	50Hz ~ 85Hz	50Hz ~ 85Hz

CONTINUED ON NEXT PAGE

ActivBoard Systems/Boards SS 02/12 V3.0\_UK

©2012 Promethean Limited. All rights reserved. Promethean Ltd. is owner of a number of trademarks in several jurisdictions across the world. Any third-party product and company names are mentioned for identification purposes only and may be trademarks of their respective owners. <sup>1</sup>Applicable Terms and Conditions for warranty and support available at [www.PrometheanWorld.com/ActivCare](http://www.PrometheanWorld.com/ActivCare). All dimensions +/- 5mm (0.2in). All weights +/- 0.9kg (2lb). Product Specifications are subject to change without notice. [www.PrometheanWorld.com](http://www.PrometheanWorld.com)



## PROJECTOR SPECIFICATIONS (CONTINUED)

<b>Computer Compatibility</b>	IBM PC and Compatibles; Apple Macintosh, iMac, and VESA Standards WSXGA+ (1,680 x 1,050), WXGA+ (1,440 x 900), WXGA (1,280 x 800, 1,280 x 768), UXGA (1,600 x 1,200), SXGA+ (1,400 x 1,050), SXGA (1,280 x 1,024), XGA (1,024 x 768), SVGA (800 x 600), VGA (640 x 480)	IBM PC and Compatibles; Apple Macintosh, iMac, and VESA Standards WSXGA+ (1,680 x 1,050), WXGA+ (1,440 x 900), WXGA (1,280 x 800, 1,280 x 768), UXGA (1,600 x 1,200), SXGA+ (1,400 x 1,050), SXGA (1,280 x 1,024), XGA (1,024 x 768), SVGA (800 x 600), VGA (640 x 480)	IBM PC and Compatibles; Apple Macintosh, iMac, and VESA Standards WSXGA+ (1,680 x 1,050), WXGA+ (1,440 x 900), WXGA (1,280 x 800, 1,280 x 768), UXGA (1,600 x 1,200), SXGA+ (1,400 x 1,050), SXGA (1,280 x 1,024), XGA (1,024 x 768), SVGA (800 x 600), VGA (640 x 480)
<b>Video Compatibility</b>	NTSC (3.58/4.43), PAL (B/D/G/H/I/M/N), SECAM (B/D/G/K/K1/L), HDTV (720p, 1080i, 1035i), EDTV (480p, 575i), SDTV (480i, 576i)	NTSC (3.58/4.43), PAL (B/D/G/H/I/M/N), SECAM (B/D/G/K/K1/L), HDTV (720p, 1080i, 1035i), EDTV (480p, 575i), SDTV (480i, 576i)	NTSC (3.58/4.43), PAL (B/D/G/H/I/M/N), SECAM (B/D/G/K/K1/L), HDTV (720p, 1080i, 1035i), EDTV (480p, 575i), SDTV (480i, 576i)
<b>Inputs/Outputs</b>	D-sub 15 (RGB) x 2 D-sub 15 (Monitor out) x 1 HDMI V1.3 only for Video x 1 S-Video x 1 Composite Video (RCA) x 1 USB control x 1 Networking LAN (RJ45) x 1 RS-232C (D-sub 9) x 1	D-sub 15 (RGB) x 2 D-sub 15 (Monitor out) x 1 HDMI V.1.3 only for Video x 1 S-Video x 1 Composite Video (RCA) x 1 USB control x1 Networking LAN (RJ45) x 1 RS-232C (D-sub 9) x 1	D-sub 15 (RGB) x 1 D-sub 15 (RGB) selectable x 1 HDMI (Digital RGB) x 1 S-Video x 1 Composite Video (RCA) x 1 RCA (white/red) x 1 Networking LAN (RJ45) x 1 RS-232C (D-sub 9) x 1 Stereo mini-jack x 1
<b>Colour</b>	Silver	Silver	Silver
<b>Security</b>	Kensington Lock, Security cable bar option, pin code security, remote control operated only	Kensington Lock, Security cable bar option, pin code security, remote control operated only	Kensington Lock, Security cable bar option, pin code security, remote control operated only
<b>On-screen Menu</b>	Arabic, Chinese (Simplified), Chinese (Traditional), Czech, Dutch, English, Finnish, French, German, Greek, Hungarian, Italian, Japanese, Korean, Norwegian, Polish, Portuguese, Russian, Spanish, Swedish, Thai, Turkish	Arabic, Chinese (Simplified), Chinese (Traditional), Czech, Dutch, English, Finnish, French, German, Greek, Hungarian, Italian, Korean, Norwegian, Polish, Portuguese, Russian, Spanish, Swedish, Turkish	Arabic, Chinese (Simplified), Chinese (Traditional), Danish, Dutch, English, Finnish, French, German, Hungarian, Italian, Japanese, Kazak, Korean, Norwegian, Polish, Portuguese, Portuguese (Brazilian), Romanian, Russian, Spanish, Swedish, Turkish
<b>Advanced Features</b>	Filter-less 3D Ready Crestron RoomView Express Quick Lamp Access Direct power on/off Closed Caption	Filter-less 3D Ready Crestron RoomView Express Quick Lamp Access Direct power on/off Closed Caption	Long Life Filter – 4000hrs Crestron RoomView Express Cable Management Cover Quick Lamp Access Direct power on/off Closed Caption
<b>Packed Contents List</b>	Projector, Power cord, computer cable (D-sub15 – D-sub15), wireless remote, owner's manual (CD - ROM & Quick Start Guide)	Projector, Power cord, computer cable (D-sub15 – D-sub15), wireless remote, owner's manual (CD - ROM & Quick Start Guide)	Projector, Power cord, computer cable (D-sub15 – D-sub15), wireless remote, owner's manual (CD - ROM & Quick Start Guide)
<b>Pack Weights and Dimensions</b>	<b>Box 1 of 1:</b> 13.5kg (29.7lb) Dimensions: 572mm x 496mm x 310mm (22.5in x 19.5in x 12.2in) Contents: Projector	<b>Box 1 of 1:</b> 4.9kg (10.8lb) Dimensions: 396mm x 341mm x 181mm (15.5in x 13.4in x 7.1in) Contents: Projector	<b>Box 1 of 1:</b> 9.5kg (20.9lb) Dimensions: 510mm x 470mm x 240mm (20in x 18.5in x 9.4in) Contents: Projector

ActivBoard Systems/Boards SS 02/12 V3.0\_UK

©2012 Promethean Limited. All rights reserved. Promethean Ltd. is owner of a number of trademarks in several jurisdictions across the world. Any third-party product and company names are mentioned for identification purposes only and may be trademarks of their respective owners. <sup>1</sup>Applicable Terms and Conditions for warranty and support available at [www.PrometheanWorld.com/ActivCare](http://www.PrometheanWorld.com/ActivCare). All dimensions +/- 5mm (0.2in). All weights +/- 0.9kg (2lb). Product Specifications are subject to change without notice. [www.PrometheanWorld.com](http://www.PrometheanWorld.com)